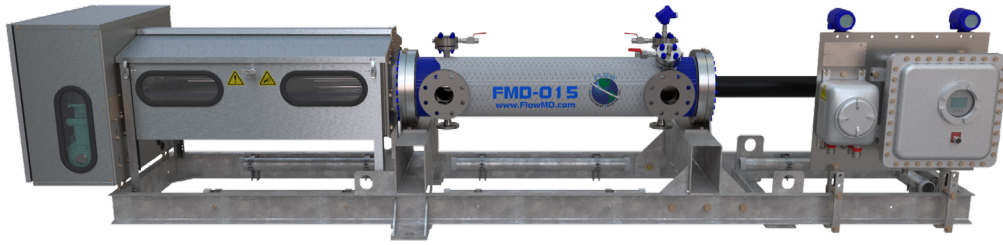


Flow MD Small Volume Prover Datasheet FMD-015



A Unit of IDEX Corporation



Flow MDs Small Volume Provers set the standard in small volume proving technology. With an innovative and patented design, the Flow MD line of provers provides superior performance, design, and functionality. All FMD Provers conform to API MPMS Chapter 4 Standards. The FMD-015 includes 4" ANSI B16.5 flanges on both the inlet and outlet, 1" drain flanges, and 2" vents with thermowell and ports for temperature and pressure verification. The FMD-015 is an excellent choice for your small volume proving application.

Performance Specifications:

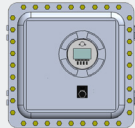
- Repeatability: < 0.02% - Exceeds API Standard
- Performance: Exceeds 0.02% (ISO17025 Calibration Lab)
- Uncertainty: Typically 0.021% (Water Draw)
- Pressure Drop: 5 psi at max flow rate of each prover (calculated with water)
- Turndown: 1200:1*

*1200:1 Turndown is typical of normal operations. Turndown ratio can vary significantly depending on installation and process conditions. Actual turndown may be much greater than 1200:1 in some conditions such as water draw, or much less in high pressure, dry product applications such as NGL service.

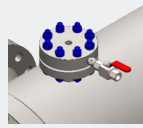
Included with Standard Prover Package:



Electrical Connections



P.I.M Electronics Module

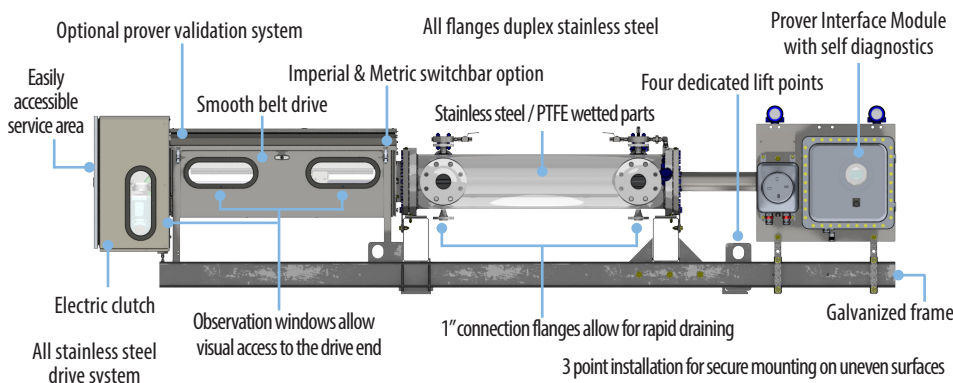


Vent Manifolds (2)

Proving calculations require switch bar temperature, tube temperature and tube pressure. FMD quotes these as standard options with the prover package.

Other Available Options: Spare Parts Kit - Drain Kit - Insulation Kit - Thermal Relief Kit - Leak Detector Kit - Shaft Seal Monitor Kit - Spectacle Blind Kit - Density Kit - Prover Validation Kit - PDAQ Kit

FMD Prover Features:



"Continuously Improving Liquid Measurement Technology"

Flow Management Devices raises the bar in Small Volume Prover performance and design with our comprehensive line of Unidirectional Captive Displacement Provers.

Prover Specifications

* Max Flow Rate

BPH	GPM	M ³ H
2,100	1,500	330

*We want to ensure that you get the proper FMD Small Volume Prover for your application. FMD Provers are compatible with most meter types, including Coriolis, Turbine, Helical Turbine, Positive Displacement, and Ultrasonic. Meter type, operating conditions, and fluid characteristics will affect prover sizing. Please reach out to us to discuss your specific application and the optimal FMD Prover for your application.

**Displaced Volume

Gallons		*Liters	
Primary	Secondary	Primary	Secondary
10	8	38	30

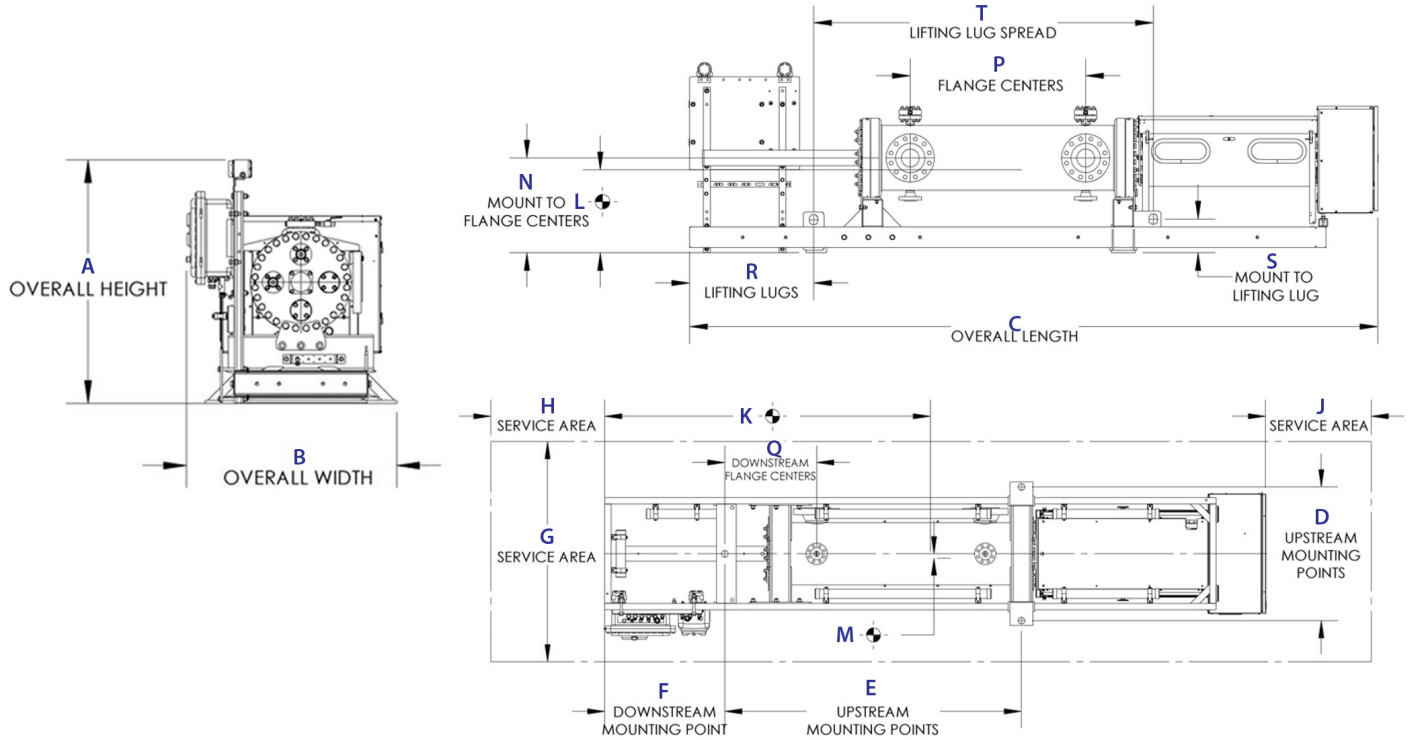
**Please Note: Standard prover volume is in gallons, liters are optional. Prover requires non-standard switchbar for liters. Alternate displaced volumes are available for liters, please contact factory for additional information. * Liters are a direct conversion and not indicative of Seraphin can sizes.

Approvals & Certifications

ISO	9001:2015 Cert# 0110-156-2, 17025:2005 Cert # L14240
EC	Mach Dir:2006/42/EC, EN 12100-2:2003, ATEX Directive 94/9/EC, EN 13463-1:2009, EN 13463-5:2003, EN 60079-0, EN 60079-7, EN 60079-11
CSA (US & Canada)	Class 3218 06, Class 1 Div 1 Group D; Class 1 Div 2 Group D / Clutch & Brake Assembly - EX m IIC T5
IECEx	USA /ETL/QAR 15.0014/00 , 101653329CRT-002
ABSA	CRN: OF1072.2

Flow Management Devices,
5225 S. 37th Street
Phoenix, AZ 85040 USA
P: +1.602.233.9885
E: fmd-sales@idexcorp.com
www.flowmd.com

FMD-015 Data Sheet



FMD-015 Dimensions	A	B	C	D	E	F	G	H	J	K	L	M	N	P	Q	R	S	T	U
Pressure Rating																			
150#	55.20	47.75	184	40.50	73.75	36.31	109	30	30	95	21	3	25.75	44.75	22.75	36	9.75	82.75	9.00
300#	55.20	47.75	184	40.50	73.75	36.31	109	30	30	95	21	3	25.75	44.75	22.75	36	9.75	82.75	9.38
600#	55.20	47.75	184	40.50	73.75	36.31	109	30	30	95	21	3	25.75	44.75	22.75	36	9.75	82.75	10.25
900#	55.20	47.75	184	40.50	73.75	36.31	109	30	30	94	22	3	25.88	44.75	22.00	36	10	82.75	11.00

Drawing Notes: 1. Dimensions "K" and "L" are for center of gravity within 6 inches. 2. Spacial dimensions have a tolerance of 1.00 inches. 3. Dimension "P" is inlet-to-outlet flange distance, drains and vents may vary. 4. All FMD-130 600# and FMD-200 models have 8 lifting lugs. Table gives dimensions to outermost lugs. 5. All dimensions are subject to change without notice. 6. For TT configurations see specific outline.

FMD-015 - Weights	ANSI Pressure - 150#		ANSI Pressure - 300#		ANSI Pressure - 600#		ANSI Pressure - 900#	
	LBS	KGS	LBS	KGS	LBS	KGS	LBS	KGS
Weight (+/- 5%)	2,805	1,273	2,840	1,288	2,880	1,306	3,150	1,429
Weight with Crate (+/- 5%)	3,430	1,555	3,470	1,574	3,510	1,592	3,780	1,715
Weight Filled w/ Water (+/- 5%)	3,015	1,368	3,055	1,386	3,090	1,402	3,360	1,524

FMD-015 Energy Consumption	Motor Voltage / Phase Availability and Amperage Draw												
	24 VDC	120 VAC 50-60 Hz	220 VAC 50-60 Hz	220 VAC 3 Phase 50-60 Hz	208-230 VAC 3 Phase 50-60 Hz	240 VAC 3 Phase 50-60 Hz	380 VAC 3 Phase 50-60 Hz	400 VAC 3 Phase 50 Hz	415 VAC 3 Phase 50 Hz	440 VAC 3 Phase 60 Hz	460 VAC 3 Phase 50-60 Hz	480 VAC 3 Phase 50-60 Hz	
Motor Horsepower	40	13	6.5	6.5	3.2	6.5	2	2	2	1.5	1.6	1.6	



A Unit of IDEX Corporation

Flow Management Devices
 5225 S. 37th Street | Phoenix, AZ 85040 USA
 P : +1.602.233.9885 | E: fmd-sales@idexcorp.com | www.flowmd.com